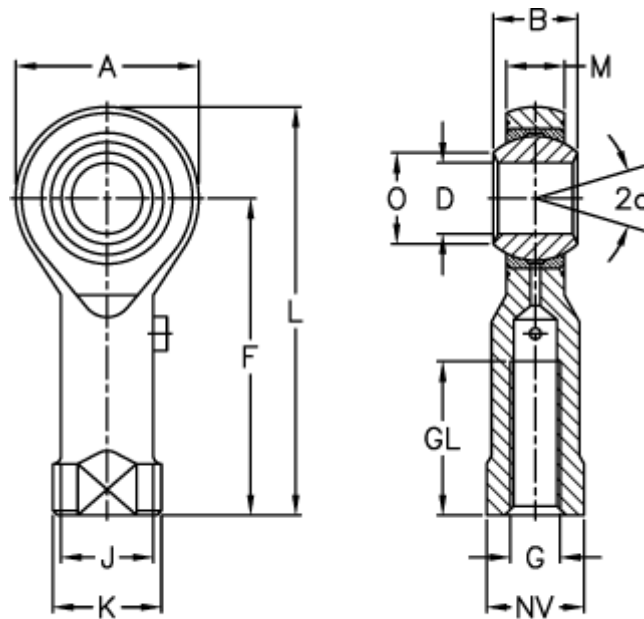


Article number: 03207020

Description: Fluro Rod End GILRS 20
Housing stainless steel with left-handed thread

Measures



Str. 3 uden smørenippel

A	= 50	J	= 27.5	Weight (g) = 415
a (degrees)	= 14	K	= 34	
B	= 25	L	= 102	
D	= 20	M	= 18	
Dynamic load C (kN)	= 31.5	NV	= 32	
F	= 77	O	= 24.3	
G	= M20x1,5	Permissible rpm	= 540	
GL	= 33	Static load C0 (kN)	= 83	